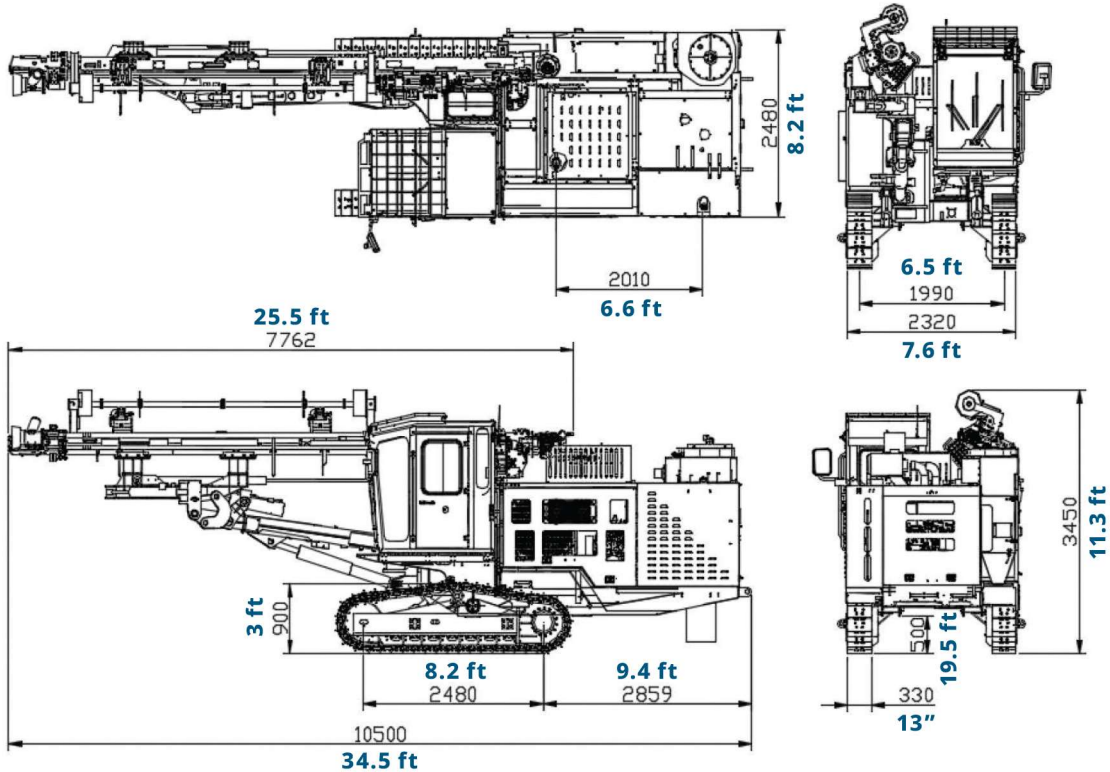


SPECIFICATIONS / JD1400E-II

Overall Dimensions	
Gross Weight	17,000 kg / 37,480 lbs
Overall Length	10,500 mm / 34.5 ft
Overall Width	2,480 mm / 8.2 ft
Overall Height	3,450 mm / 11.3 ft
Crawler	
Ground Clearance	480 mm / 1.57 ft
Oscillating Angle	10/8°
Gradeability	30°
Traveling Speed	3.3 kmh / 2.1 mph
Engine	
Cummins QSL9 TIER 4	
Rated Output	260 bhp / 2,200 rpm
Dust Collector	
# of Filters	6

Drifter		YH-135
Weight	260 kg / 573 lbs	
Impact Frequency	40~45 Hz	
Rotational Torque	Max. 120kgfm / 868flbs	
Rotational Frequency	Max. 120 RPM	
Impact Pressure	Max. 140bar / 2,031psi	
Rotation Pressure	Max. 140bar / 2,031psi	
Flushing Pressure	Max 10.5bar / 150psi	
Bit & Rod		
Bit Diameter	Φ89 ~ Φ127 / 3.5"-5"	
Rod Length	3,660 mm / 12 ft	
Rod Section	T51	
Hydraulic System		
Hydraulic Pump	2 Variable Piston Pump + 1 Gear Pump 2 Gear Pump (Cooler)	

Boom	
Overall Length	2,840 mm / 9.32 ft
Lift Angle	50 U° / 15 D°
Swing Angle	35 R° / 25 L°
Auto Rod Changer	
Carousel Type	
# of Rod Installed	6+1 EA
Air End	
GHH-Rand	
Working Pressure	10.5 kg-cm2 / 150 psi
Free Air Delivery	13.9 m3 / 490 cfm
Guide	
Overall Length	7,590 mm / 24.9 ft
Slide Length	1,500 mm / 4.92 ft
Feed Length	4,300 mm / 14.1 ft
Swing Angle	90 R° / 25 L°
Tilt Angle	180°



(502) 244-0004
john@rockdrills.net



SoosanAmerica.com
RockDrills.net